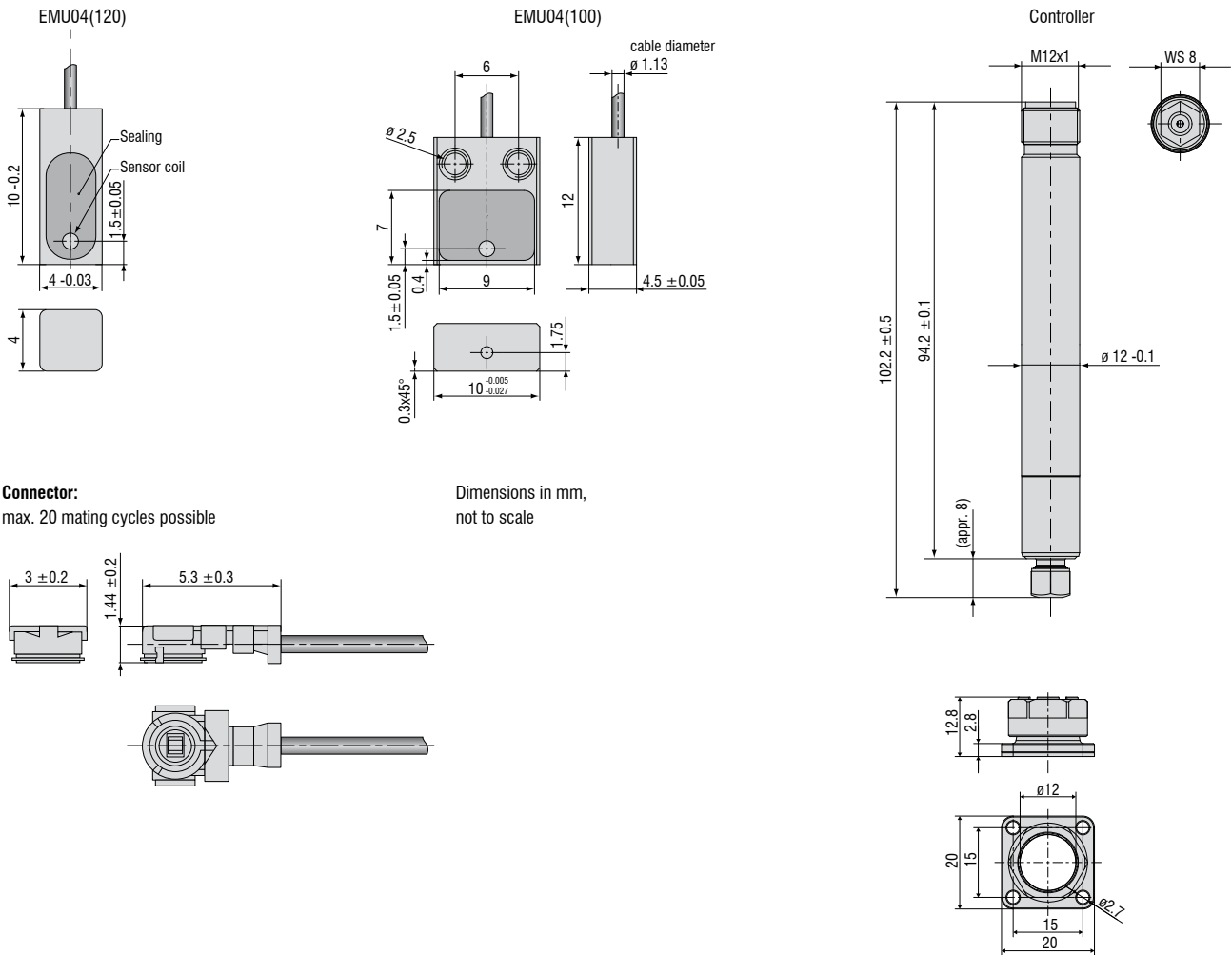
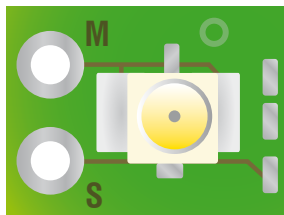


Technical drawing



Connector:
max. 20 mating cycles possible

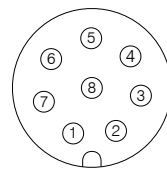
Dimensions in mm,
not to scale



The sensor cable must not be shortened as functionality loss may arise. Removing the connector is only permitted behind the plug-sided crimp when using the solder connections.

S = Signal = inner conductor
M = ground = shield = outer conductor

8-pin. M12 connector
View on controller



Pin assignment

| Pin | Signal |
|-----|---------------------|
| 1 | Ground |
| 2 | +24V |
| 3 | Displacement signal |
| 4 | Temperature signal |
| 5 | not connected |
| 6 | do not connect |
| 7 | do not connect |
| 8 | not connected |